

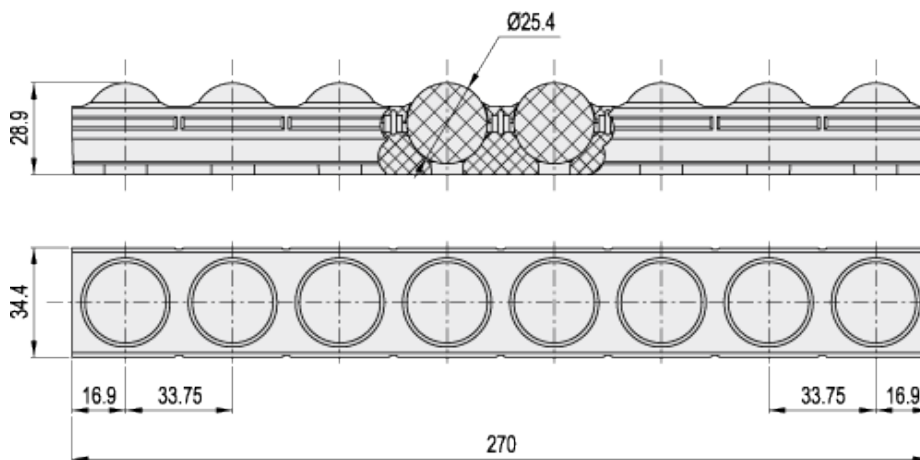
# RLS-U

Ball elements for ELEROLL roller tracks



FM Design

ele:roll\*



## technical informations

### Balls

Acetal resin based (POM) technopolymer, white colour.

### Ball holder

Polyamide based (PA) technopolymer, black colour.

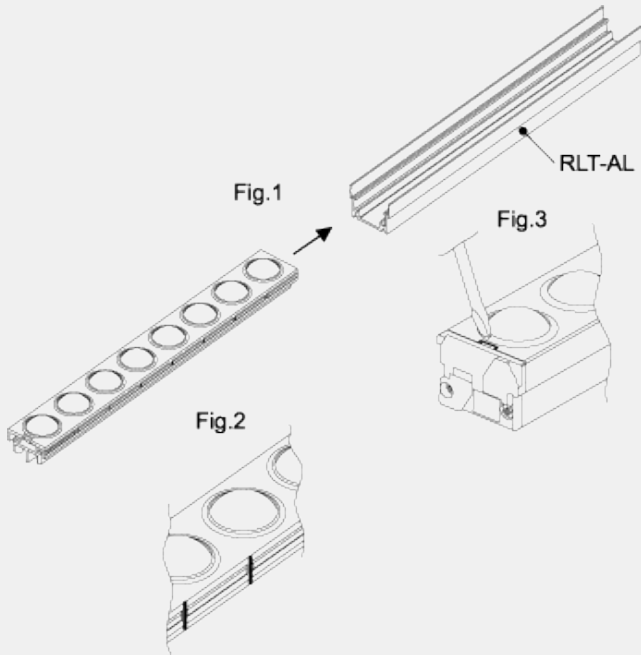
### Features and applications

- The ball elements, suitably fixed within the RLT-AL aluminum profiles (Fig. 1) create modular roller tracks for idle omnidirectional handling.
- The ball elements can be combined with RLT-U roller elements for applications in several fields: feeding and discharging benches in construction machinery, storage and picking systems, packaging machinery, etc.
- The low friction coefficient between the ball and the ball holder eliminates the need for lubrication maintenance.
- The particular section of RLT-AL profile allows the snap-in assembly of the ball elements into the profile without the need for screws or other fasteners (Fig.1).
- The ball elements are divisible in correspondence of predefined sections (Fig.2) so as to create roller tracks of the precise required length.
- The balls may be removed and replaced without disassembling the entire roller track, by using a common screwdriver in the appropriate notch cut into the ball holder (Fig. 3).

Technical data

See: [ELEROLL Modular roller tracks](#)

\* Trademark application



Standard Elements		Weight
Code	Description	g
429801	RLS-U-POM	151



ELESA and GANTER models all rights reserved in accordance with the law. Always mention the source when reproducing our drawings.

STANDARD MACHINE ELEMENTS WORLDWIDE